

TFH34

series



Product Segments

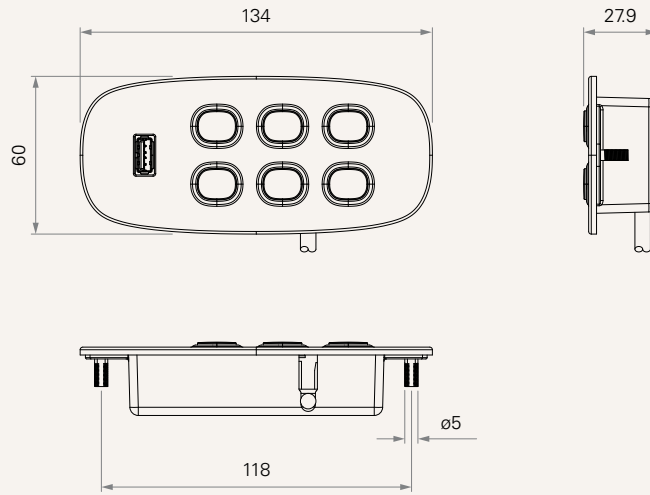
- **Comfort Motion**

General Features

Number of motors	1~3
Max. available buttons	6
Color	Bottom cover: Black Upper cover: Metal plating
USB socket for power charging	

Drawing

Standard Dimensions
(mm)



MCU	0 = Without	
Control Box Type	3 = Without MCU	
Communication Type	1 = Direct Cut	
Number of Actuator	3 = 3	
Button Definition	Note: please contact TiMOTION before making an order	
Button Icon	0 = Without	
Plug	9 = Short DIN 8P	
Plug Angle	1 = 90°	2 = 180°
Cable Length (mm)	1 = Straight, 1000	2 = Straight, 1500
Color	1 = Standard (upper cover: metal plating; bottom cover: black)	
Cable Color	1 = Black	
IP Rating	0 = Without	
Usb Charging Socket	1 = USB type-A	

Terms of Use

The user is responsible for determining the suitability of TiMOTION products for a specific application. TiMOTION products are subject to change without prior notice.